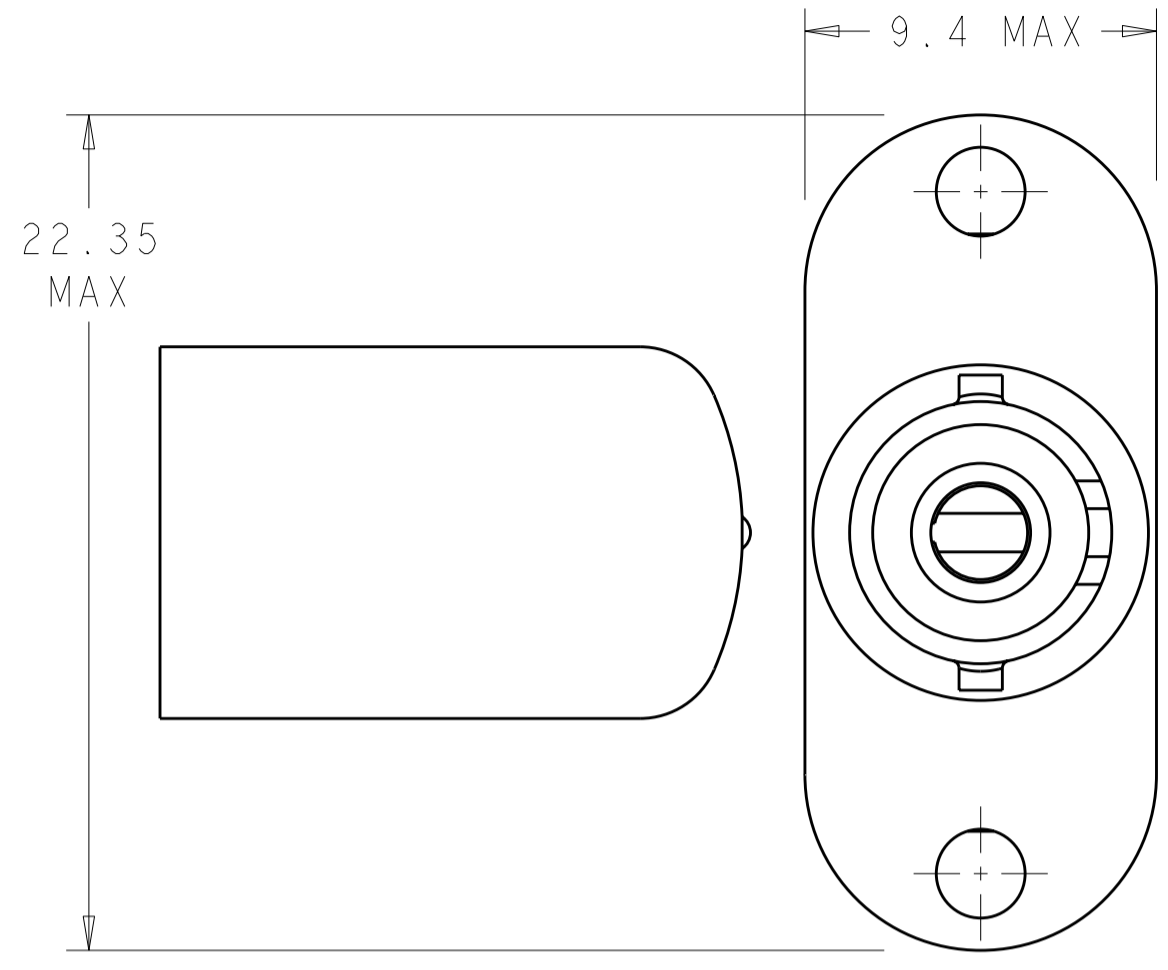
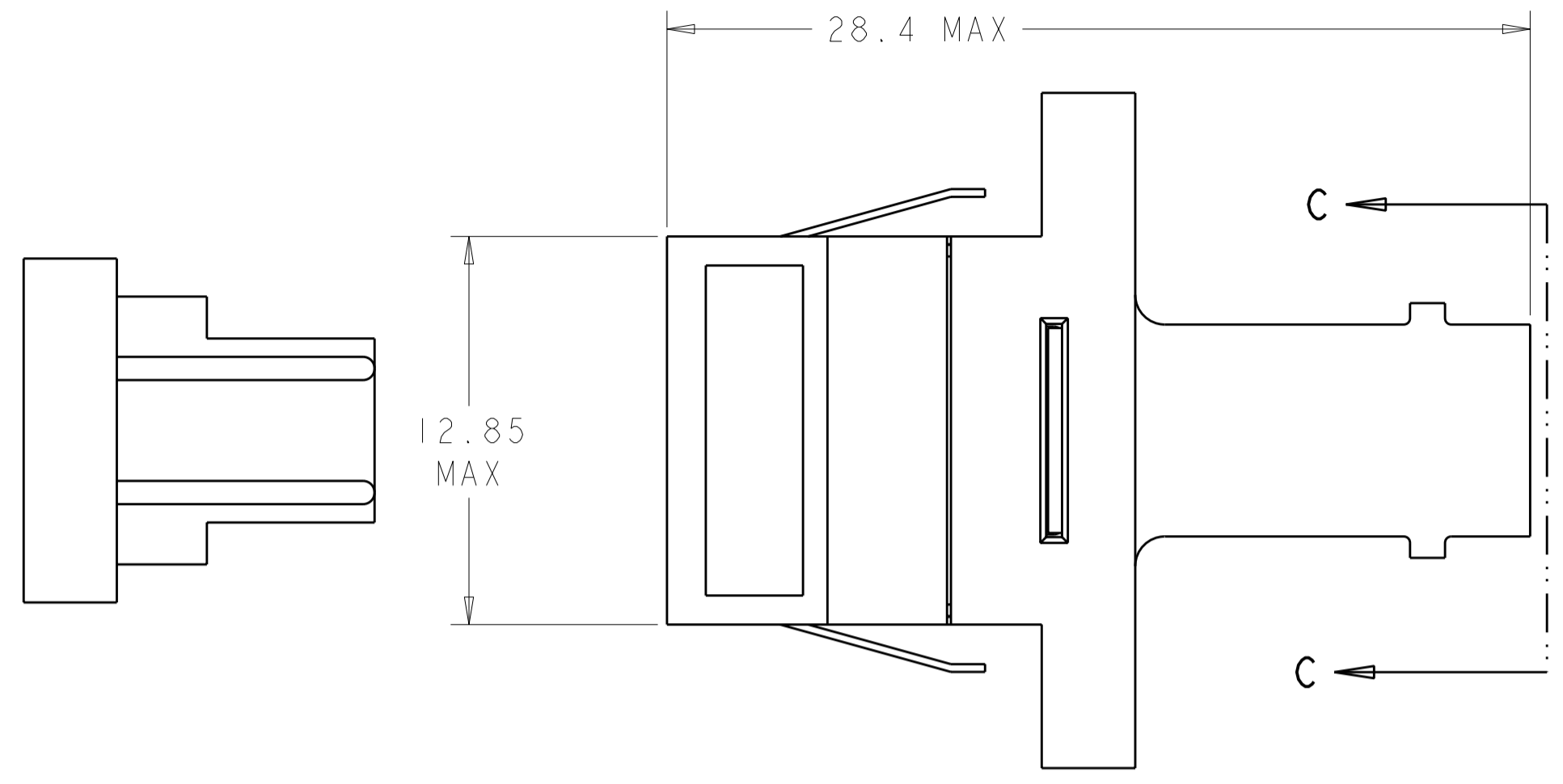


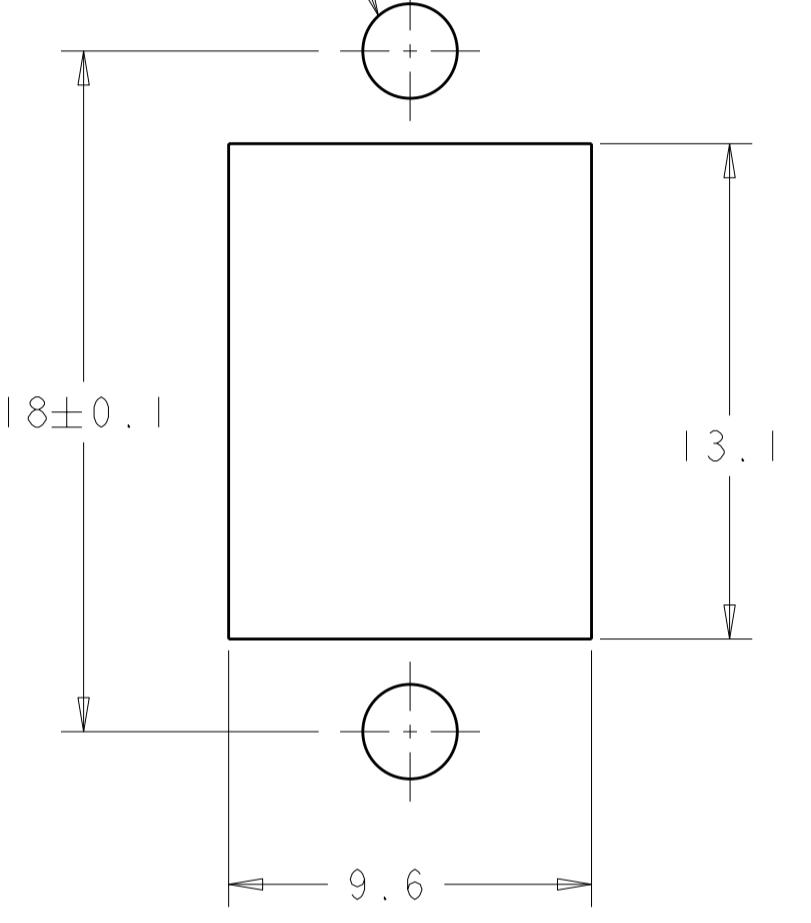
THIS DRAWING IS UNPUBLISHED. RELEASED FOR PUBLICATION 20
 © COPYRIGHT 20 ALL RIGHTS RESERVED.

LOC CE DIST 00

| REVISIONS | | | | |
|-----------|-----|---------------------------|-----------|--------|
| P | LTR | DESCRIPTION | DATE | APVD |
| | CI | REVISED PER ECO-11-005027 | 17MAY2011 | RK HMR |

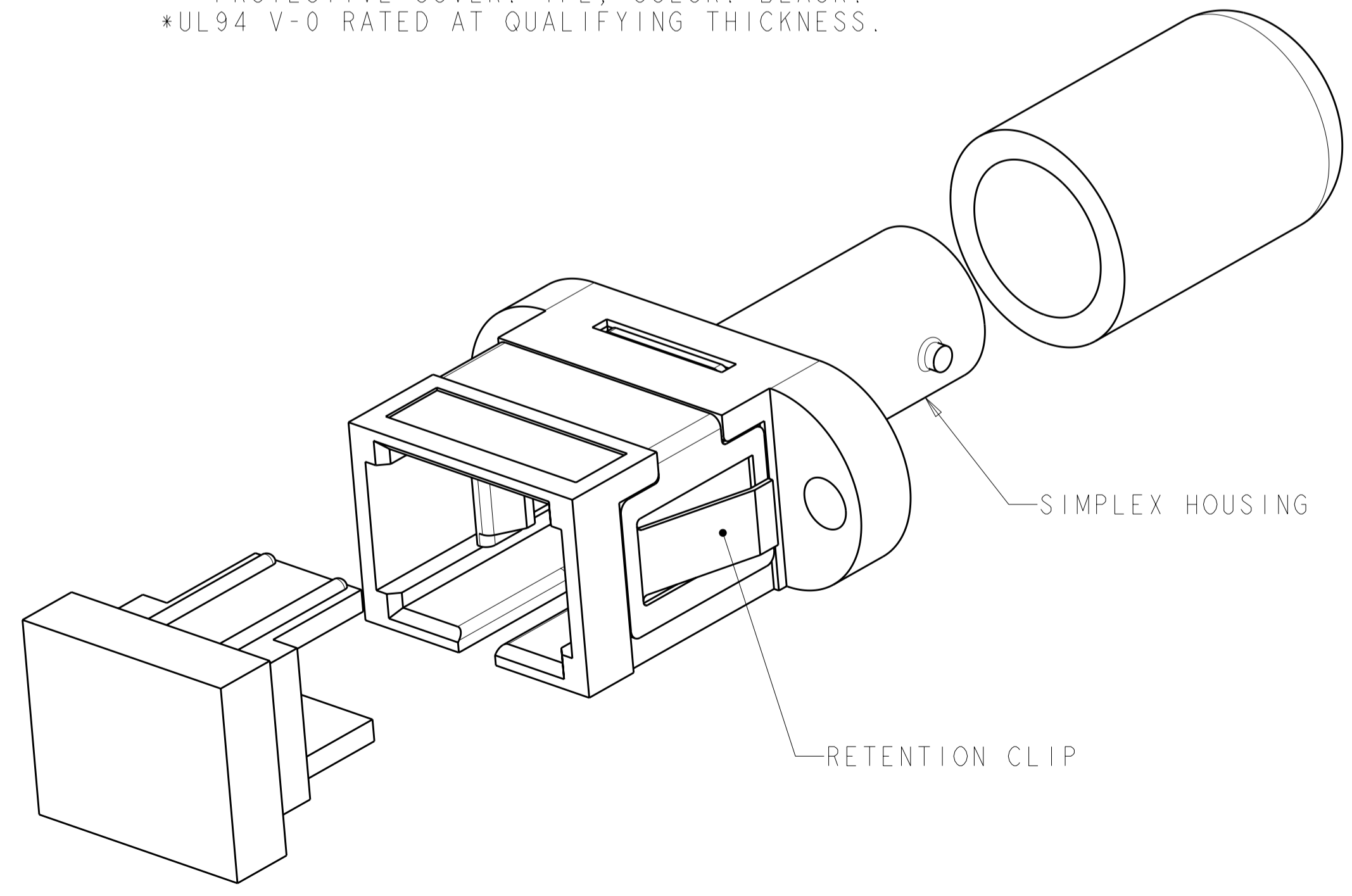


#2-56UNC-2B
2 x



SUGGESTED PANEL CUTOUT
MAX PANEL THICKNESS 1.7

⚠ MATERIAL:
 HOUSING: PBT-GF30, SEE DASH NUMBERS FOR COLOR.*
 RETAINER: PEI-GF30, COLOR: BLACK.*
 RETENTION CLIP: STAINLESS STEEL.
 ALIGNMENT SLEEVE: SEE DASH NUMBERS.
 PROTECTIVE CAP: VINYL.
 PROTECTIVE COVER: TPE, COLOR: BLACK.*
 *UL94 V-0 RATED AT QUALIFYING THICKNESS.



| | | |
|------------------|-------|-------------|
| CERAMIC | AQUA | 2-5502780-1 |
| METAL | AQUA | 2-5502780-0 |
| CERAMIC | BEIGE | 5502780-6 |
| CERAMIC | BLUE | 5502780-5 |
| CERAMIC | BLACK | 5502780-4 |
| METAL | BEIGE | 5502780-3 |
| METAL | BLUE | 5502780-2 |
| METAL | BLACK | 5502780-1 |
| ALIGNMENT SLEEVE | COLOR | PART NUMBER |

| | | | | |
|--|--|---------------------------|---|--|
| THIS DRAWING IS A CONTROLLED DOCUMENT. | | DWN B. BRIGGS 13MAY2005 | STE TE Connectivity | |
| DIMENSIONS: mm | | CHK S. MILLER 13MAY2005 | | |
| TOLERANCES UNLESS OTHERWISE SPECIFIED: | | APVD S. BUCHTER 13MAY2005 | NAME RECEPTACLE ASSEMBLY, AMP SC TO BAYONET | |
| 0 PLC ± | | PRODUCT SPEC - | SIZE CAGE CODE DRAWING NO RESTRICTED TO | |
| 1 PLC ±0.1 | | APPLICATION SPEC - | A200779C-5502780 | |
| 2 PLC ±0.05 | | WEIGHT - | SCALE 5:1 SHEET OF 1 REV CI | |
| 3 PLC ± | | CUSTOMER DRAWING | | |
| 4 PLC ± | | | | |
| ANGLES ± | | | | |
| FINISH | | | | |